



Portable Lifting Platform

www.terrylifts.co.uk

Flexible temporary solution for wheelchair access

The Portable Platform Lift provides easy and reliable disabled access on a temporary basis. The lift folds away conveniently for transport and storage. It consists of a self-contained unit built on large castors, so it can be wheeled into place with minimum effort. Following initial training, the lift is easy to set up by two people. It can be simply plugged into an existing power point.

Standard features

- **Folds away** for convenient moving and storage
- Large castors for **easy transportation**
- **Shallow approach ramp** to a portable base frame
- Convenient controls
- **Plug-in charger** keeps batteries charged for immediate re-use
- **Safety edge protection** in both directions of travel
- Arrestor bar on platform for safety
- Scissor mechanism fully enclosed by bellows
- Low voltage operating system

Optional extras

- Remote up/down control kit
- External platform height adjustment
- Storage cover
- Outside use

Standard specification

Typical application: Ideal for a stage or raised platform. Wheelchair users only.

Maximum travel: 1000 mm

Unladen weight: 140 kg

Useable platform size: 800 mm x 1450 mm

Closed height: 100 mm

Rated speed: 0.06 m/s

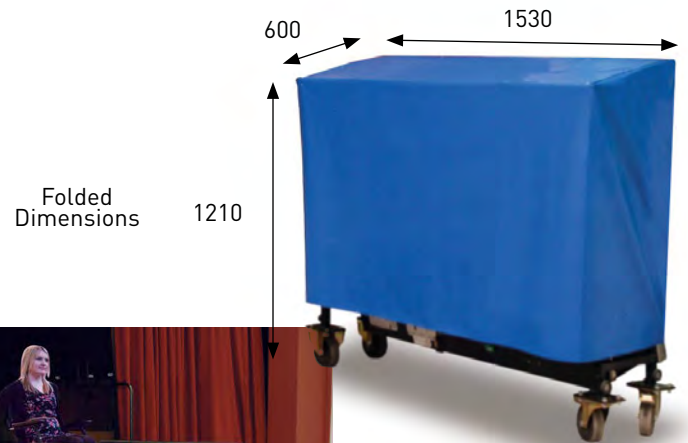
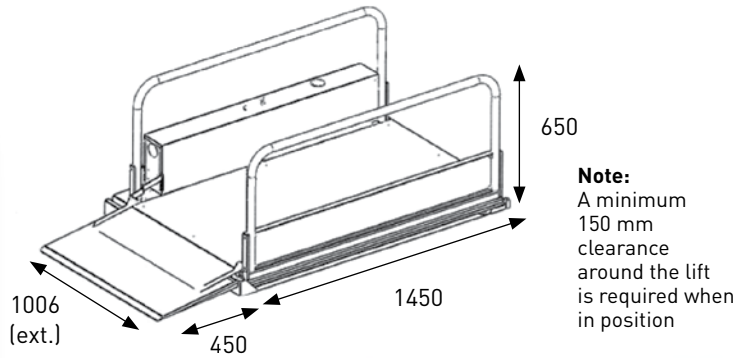
Safe working load: 250 kg

Lifting mechanism: Electro hydraulic

Electrical supply: 240 V, 13 A charger plugs into socket

Dimensions

(all dimensions in mm)



The Terry Lifts Guarantee



- ✓ **Safety:** Full safety features
- ✓ **Compliance:** CE marked
- ✓ **Certification:** ISO 9001:2015, ISO 14001:2015 and OHSAS 18001:2007
- ✓ **Origin:** Designed & manufactured in the UK with over 45 years' experience

Issue date: 2/2022

Call us today on: **0345 365 5366**
or e-mail: **sales@terrylifts.co.uk**

Terry Lifts
total lift solutions

Terry Group Ltd., Longridge Trading Estate, Knutsford, Cheshire, WA16 8PR

Tel (outside UK): **+44 (0)1565 650 376**
www.terrylifts.co.uk

