



Stannah

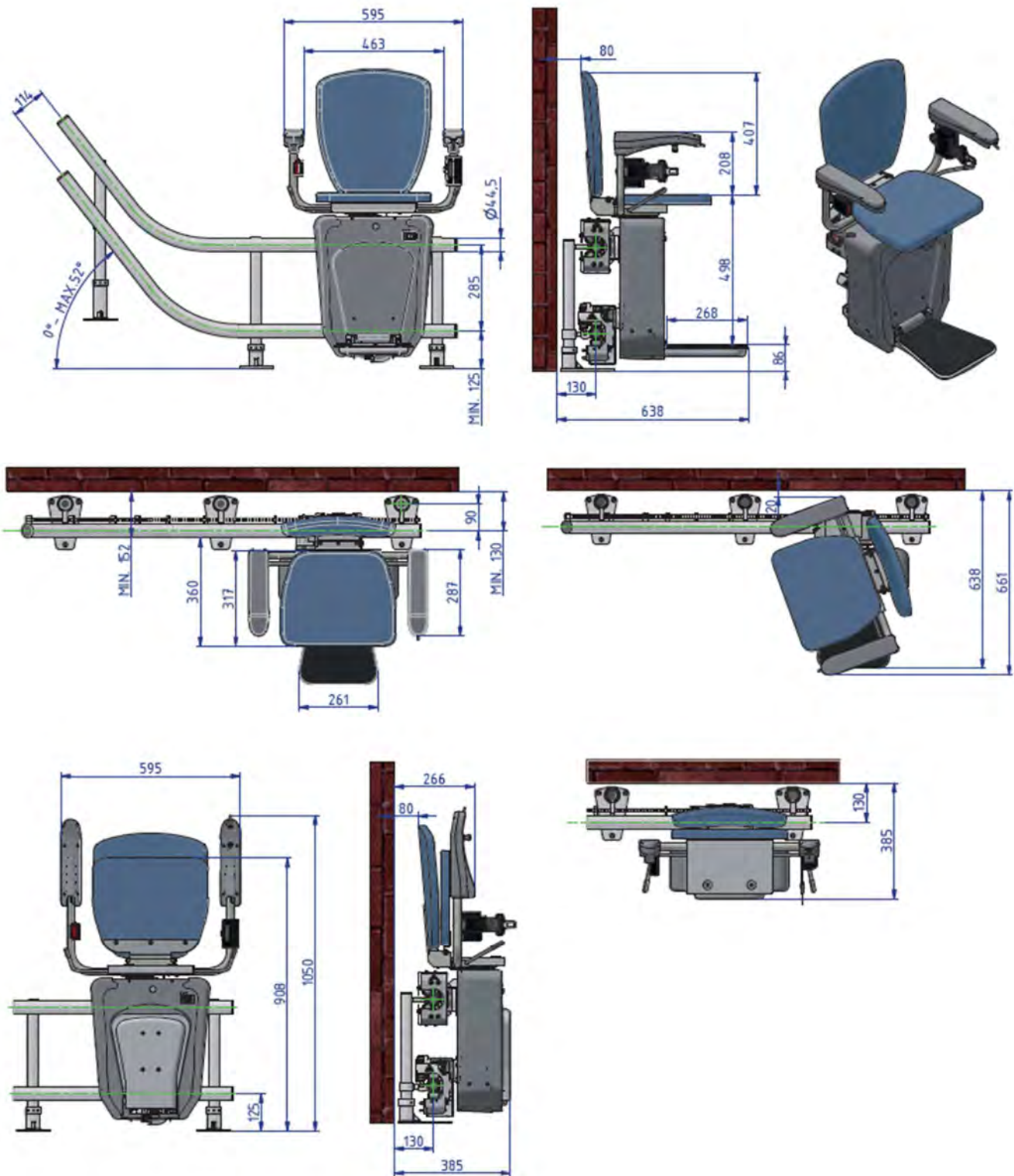
Stannah

Dimension Sheet
Stannah Outdoor Curved

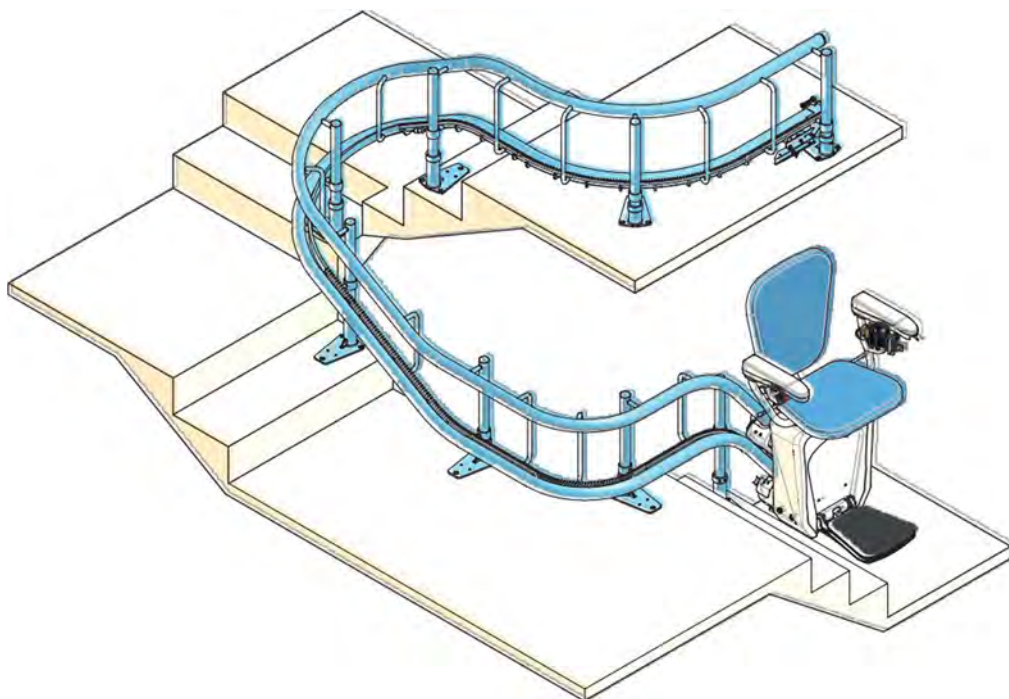
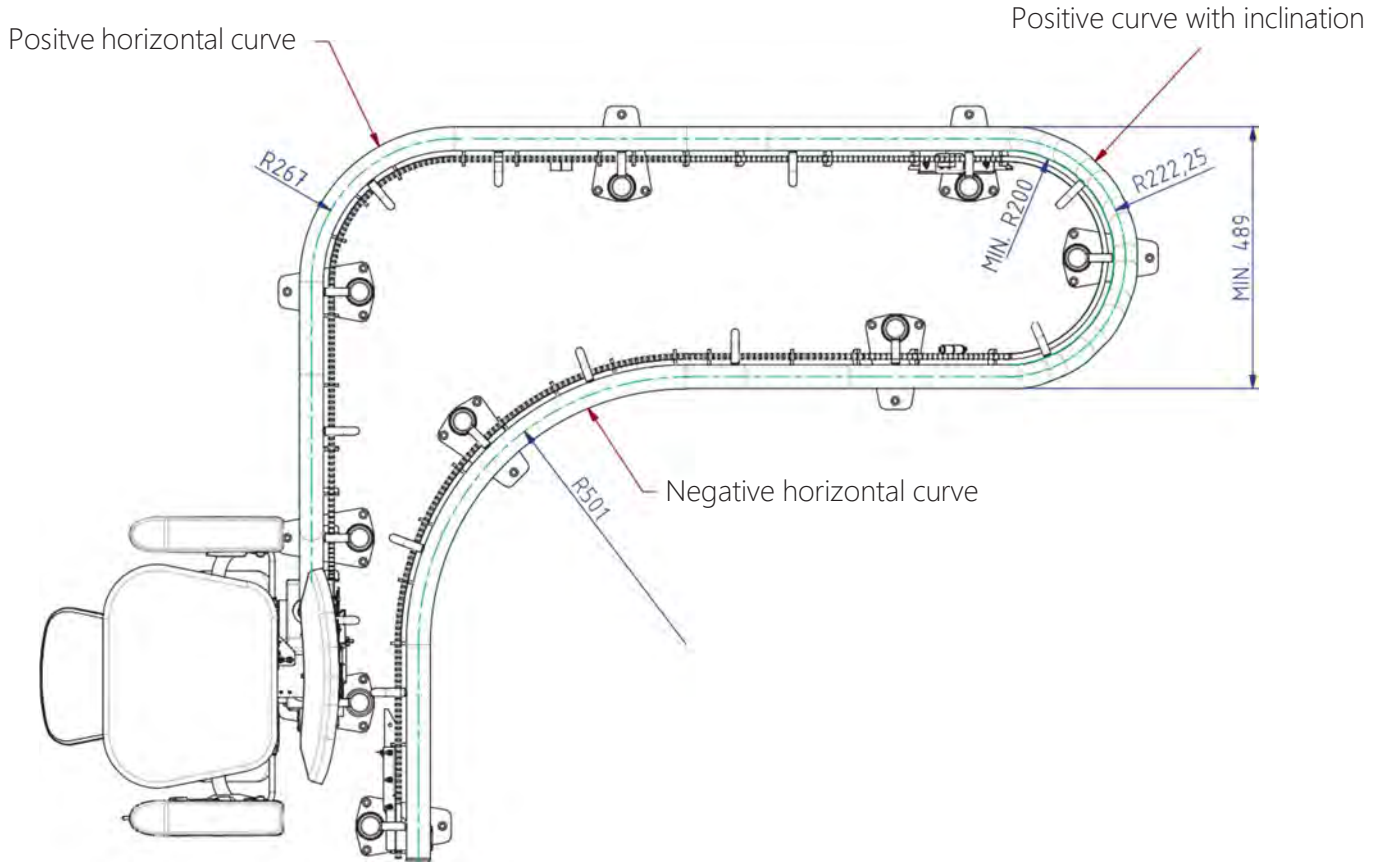
Version: July 2024

Stannah Stairlifts
Watt Close, East Portway
Andover, Hampshire, SP10 3SD
United Kingdom
www.stannah.com

OVERVIEW

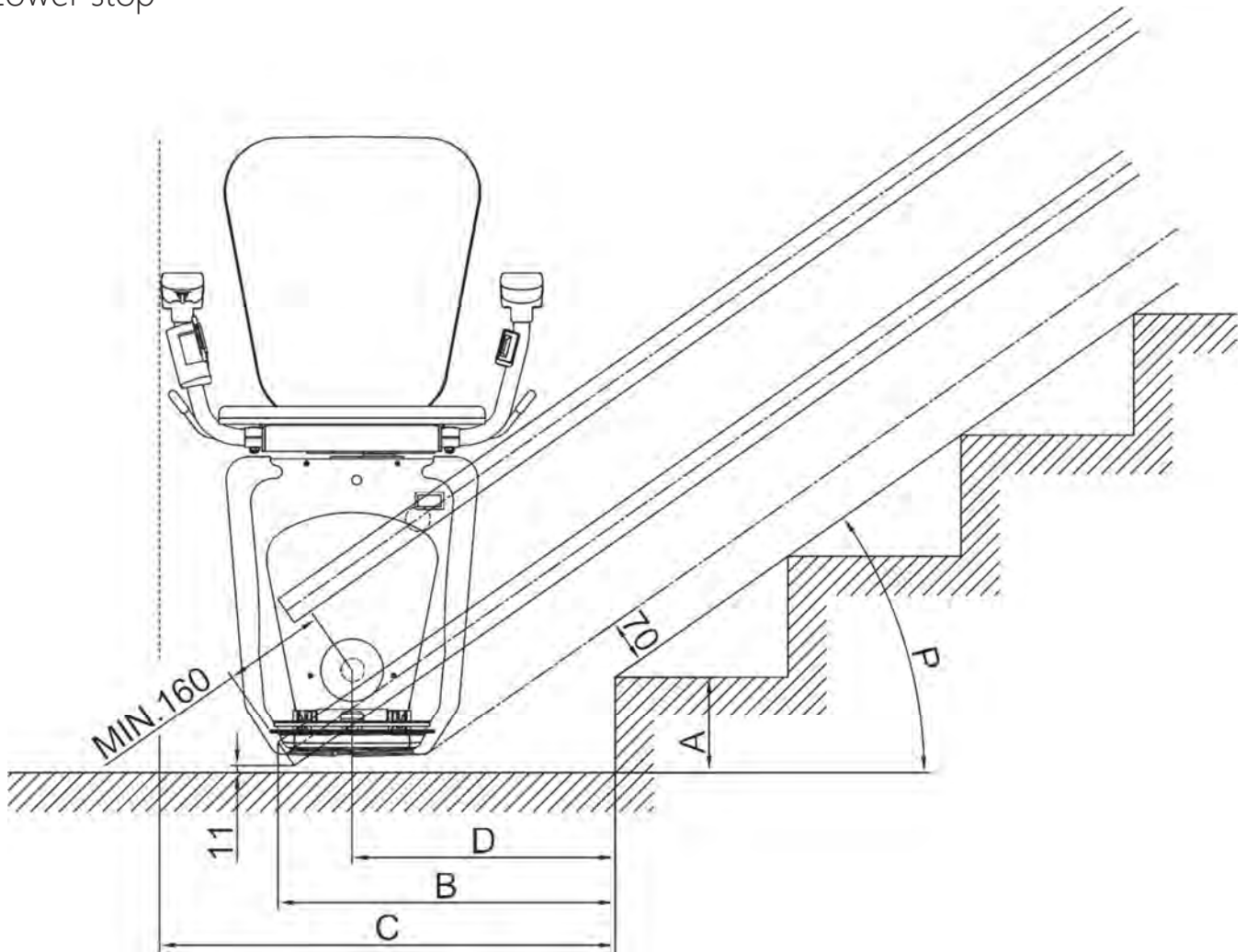


RAILS



REGULAR START

Lower stop

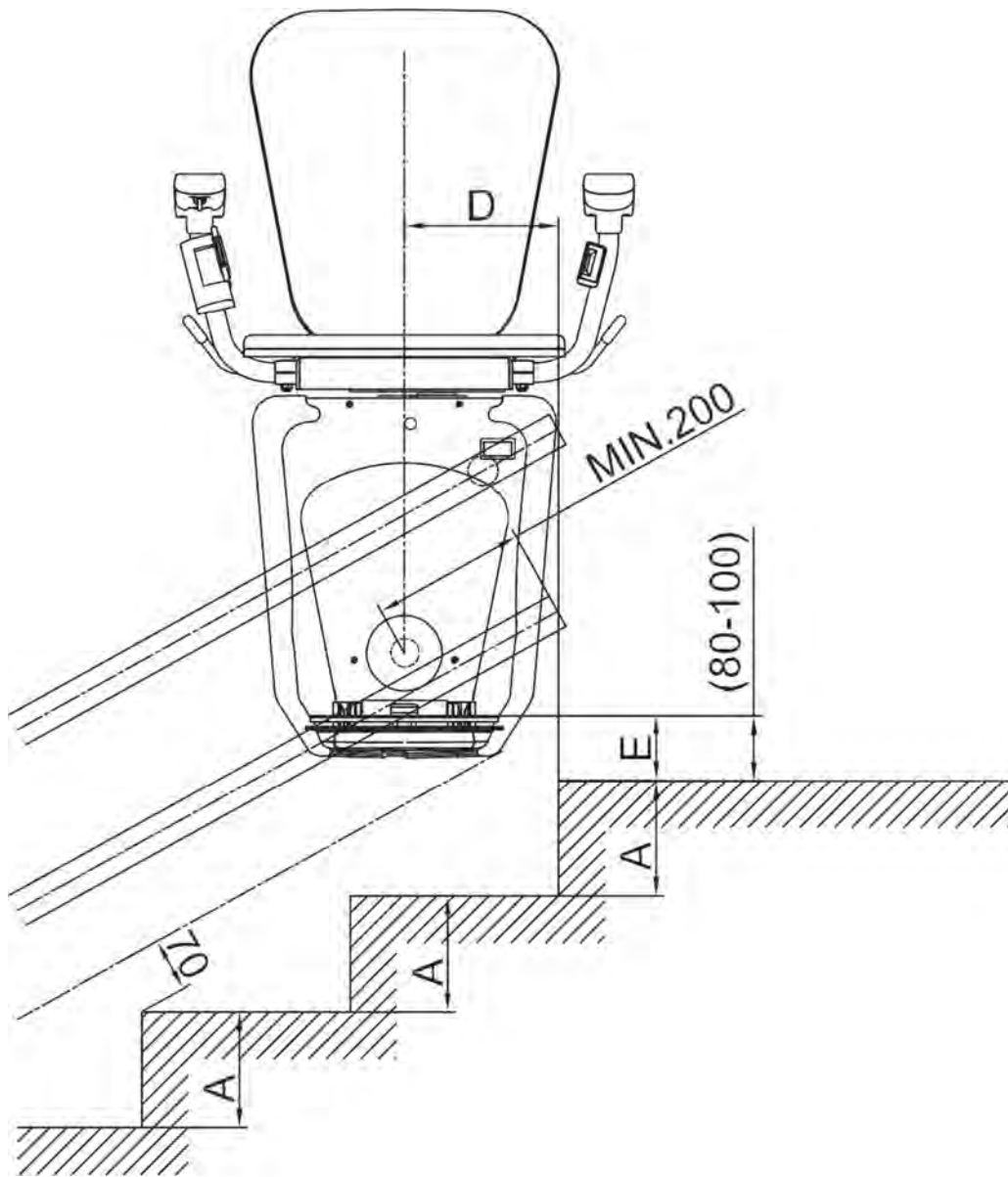


40°	468	663	362	486	679	380	509	703	404
35°	527	712	411	548	732	433	577	760	461
30°	607	783	481	632	807	507	667	841	542
25°	711	880	578	744	910	610	787	952	653
P	B	C	D	B	C	D	B	C	D
	A=150			A=165			A=180		

- A** Height first step
- B** Distance rails
- C** Distance chair
- D** Centre of stop position
- P** Inclination stairs

UPPER STOP

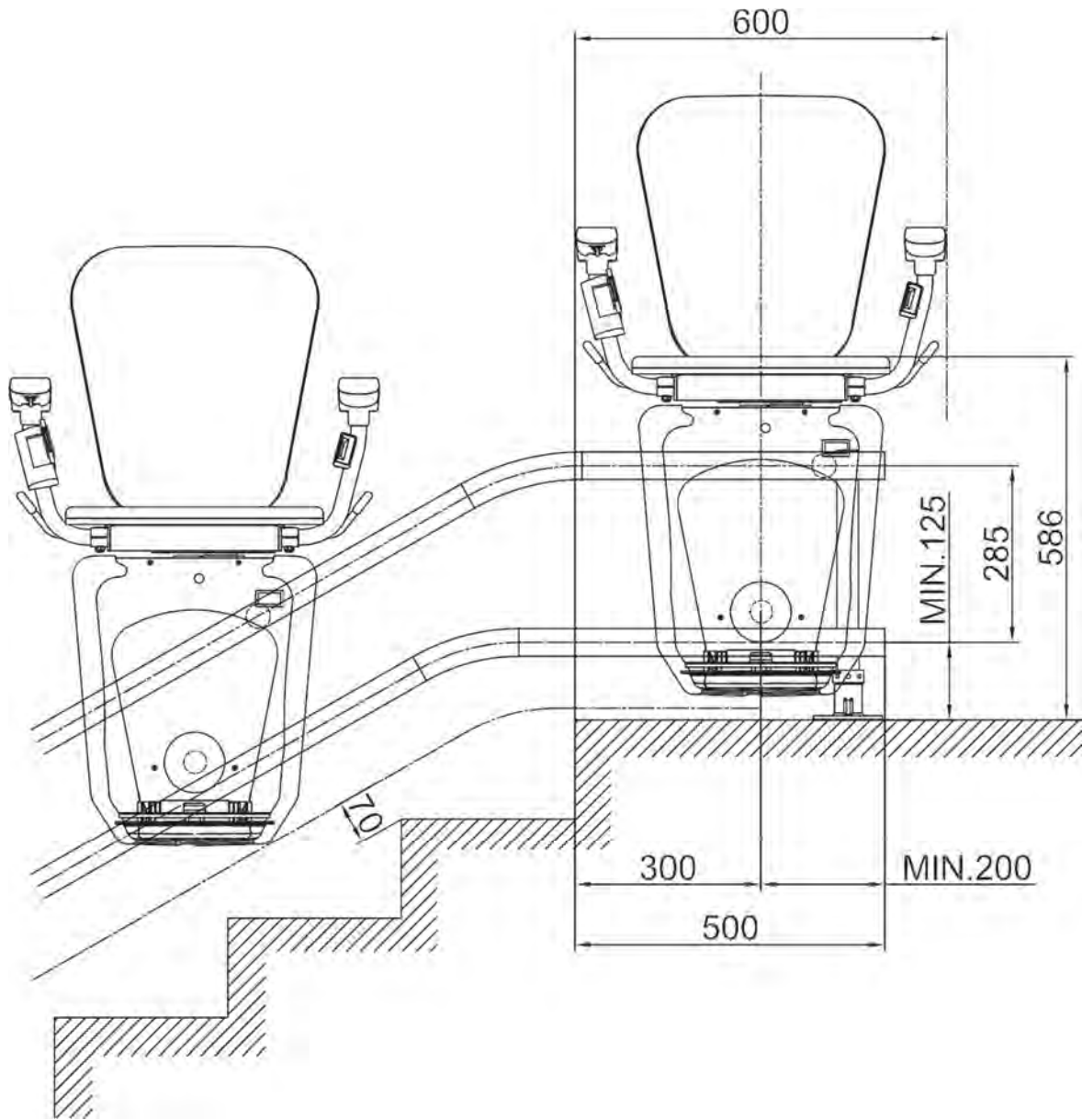
At the last step



Height first step A	Centre stop position B	Height footrest E
150	200	85
165	190	88
185	180	93

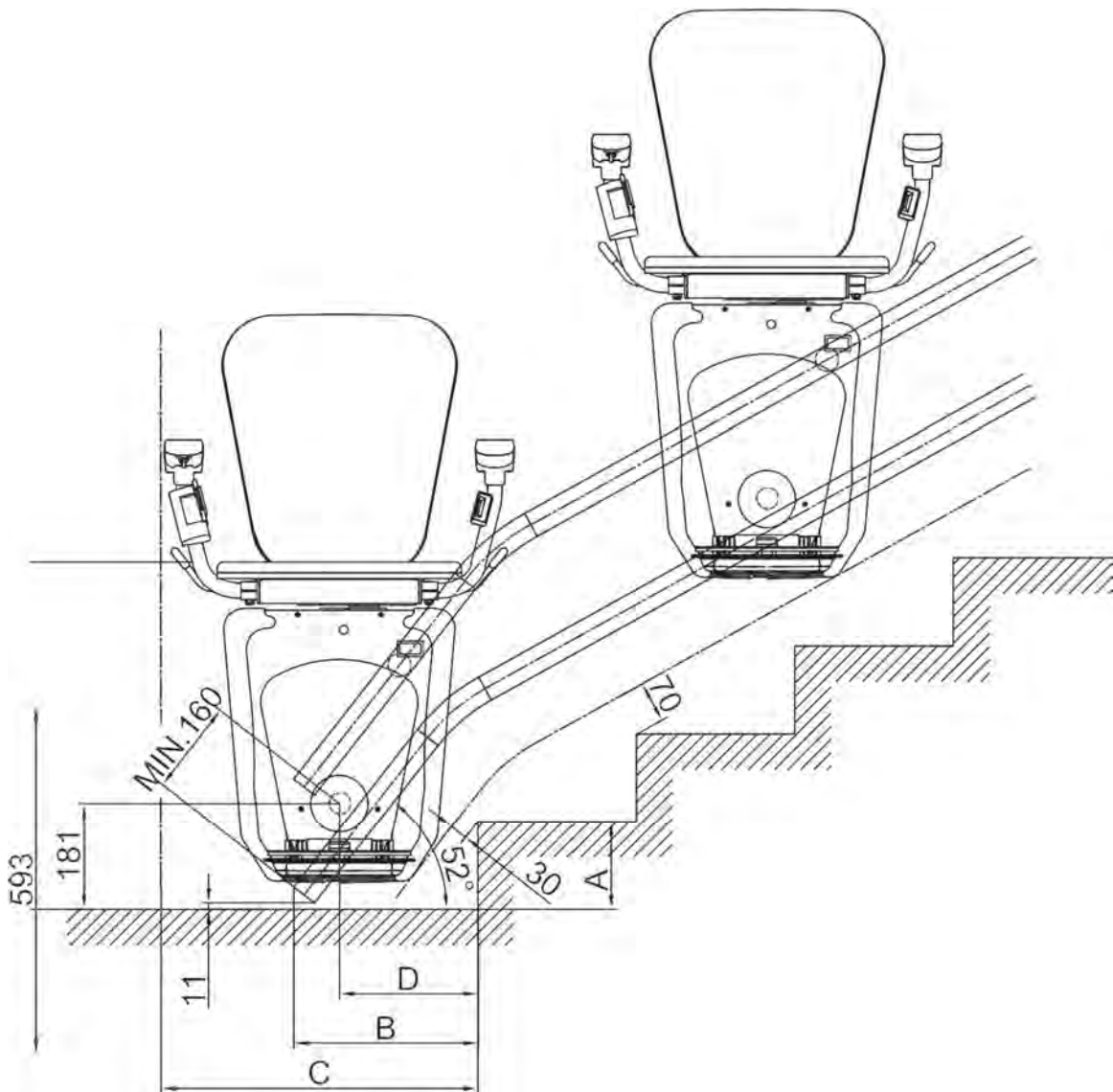
HORIZONTAL OVERRUN

Upper stop at upper platform



STEP START

Lower stop



Height first step A	Rails B	Space needed for chair C	Centre stop position D
150	313	540	236
165	325	550	248
185	341	565	263